

CERTIFICAT OIML DE CONFORMITE
OIML CERTIFICATE OF CONFORMITY

N° R21/2007-FR02-2017/01

Autorité de délivrance <i>Issuing authority</i>	: Laboratoire National de Métrologie et d'Essais Personne responsable (Person responsible) : Thomas LOMMATZSCH
Demandeur <i>Applicant</i>	: AUTOMATISMES ET TECHNIQUES AVANCEES SA - 30 impasse du nid - ZA du Verdalaï
Fabricant <i>Manufacturer</i>	: AUTOMATISMES ET TECHNIQUES AVANCEES 30 impasse du Nid - ZA du Verdalaï FRA 13790 Peynier
Identification du type certifié	: taximètre ATA Primus-RS-01
<i>Identification of the certified pattern</i>	<i>taximeter ATA Primus-RS-01</i>
Caractéristiques <i>Characteristics</i>	: les caractéristiques principales de l'instruments sont mentionnées en annexe. <i>the main characteristics of the instrument are mentioned in annex.</i>

Ce certificat atteste la conformité du modèle mentionné ci-dessus (représenté par les échantillons identifiés dans les rapports d'essais associés) aux exigences de la Recommandation suivante de l'Organisation Internationale de Métrologie Légale – OIML) :

This certificate attests the conformity of the above-mentioned pattern (represented by the samples identified in the associated test reports with the requirements of the following Recommendation of the International Organization of Legal Metrology – OIML) :

OIML R 21 : 2007

Ce certificat s'applique uniquement aux caractéristiques métrologiques et techniques du modèle d'instrument concerné, telles que couvertes par la Recommandation Internationale applicable. Ce certificat ne constitue en rien une approbation internationale à caractère légal. Note importante : à part la mention du numéro de référence du certificat avec le nom de l'Etat Membre de l'OIML dans lequel le certificat a été délivré, une reproduction partielle du certificat ou des rapports d'essais associés n'est pas autorisée, mais ils peuvent être reproduits dans leur totalité.

This certificate relates only to the metrological and technical characteristics of the pattern for the concerned instrument, as covered by the relevant OIML International Recommendation. This certificate does not bestow any form of legal international approval. Important note : Apart from the mention of the certificate's reference number and the name of the OIML Member State in which the certificate was issued, partial quotation of the certificate or the associated test report is not permitted, though they may be reproduced in full.

Les principales caractéristiques figurent dans l'annexe ci-jointe qui fait partie intégrante du certificat OIML de conformité et comprend 6 page(s).

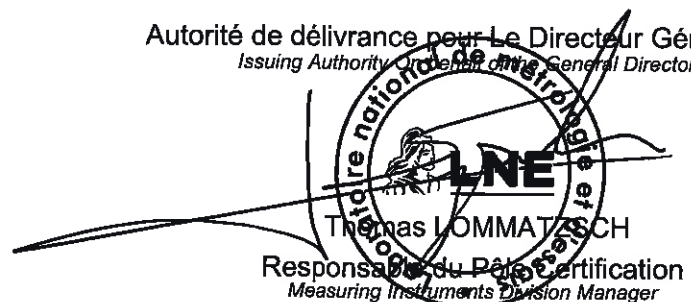
The principal characteristics are set out in the appendix hereto, which forms part of the OIML certificate of conformity and consists of 6 page(s).

Etabli le 20 janvier 2017
Issued on January 20th, 2017

Autorité de délivrance pour Le Directeur Général
Issuing Authority for the General Director



Référence LNE-32504 rév. n° 0



Thomas LOMMATZSCH
Responsable du Pôle Certification
Measuring Instruments Division Manager

Laboratoire national de métrologie et d'essais

Établissement public à caractère industriel et commercial • Siège social : 1, rue Gaston Boissier - 75724 Paris Cedex 15 • Tél. : 01 40 43 37 00
Fax : 01 40 43 37 37 • E-mail : info@lne.fr • Internet : www.lne.fr • Siret : 313 320 244 00012 • NAF : 743 B • TVA : FR 92 313 320 244
Barclays Paris Centrale IBAN : FR76 3058 8600 0149 7267 4010 170 BIC : BARCFRPP

Annex to OIML CERTIFICATE N° R 21/2007 – FR2 – 2017/01 - Revision 0

Historical

Certificat number	Revision	Object
R21/2007-FR02-2017/01	0	- Initial

Designation

This instrument can be marketed under different commercial names. It can be equipped with complementary devices not covered by the OIML Recommendation.

Characteristics

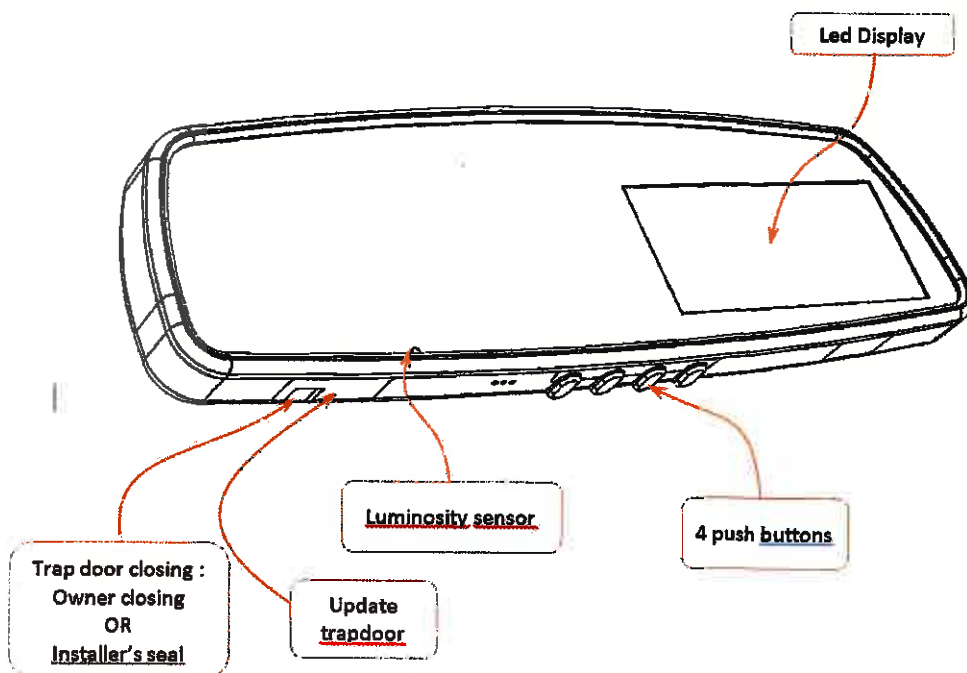
Voltage supply	:	9 – 16 V
Range of the k constant of the device	:	500 120 000 imp/km
Mechanical environment class	:	M3
Electromagnetic environment class	:	E3
Temperature range	:	-25°C / 70°C
Pulse voltage amplitude (low/high)	:	-30/+30 V
Pulse frequency	:	0 to 6700Hz
Minimum pulse width	:	74 µs

Description

The taximeter ATA type Primus-RS-01 indicates at any moment, the price to be paid by users depending on the distance covered, how long the vehicle is engaged and the programmed tariffs.

It includes:

- a LED display integrated in the mirror,
- 4 buttons of manipulation (BP1 to BP4),
- a trap door to have access to a plug to connect the programming device, this trap could be sealed,
- a sealed trap door for connecting the regulated devices,
- a luminosity sensor.



Annex to OIML CERTIFICATE N° R 21/2007 – FR2 – 2017/01 - Revision 0

Operation

• Journey

To start a journey from the position "FREE", you have to press the button BP1. The taximeter is on "FARE". The rate change is obtained by pressing the button BP1.

The access to supplements menu is only possible during "FARE" mode by pressing the button BP2.

To finish the journey, you must press the button BP4. The taximeter switches to position "STOPPED". It is not possible to switch to position "FREE" before the pictogram ⌚ is extinguished.

Printing the receipt is obtained by pressing the button BP3. In case of a printer's anomaly, the default is mentioned by the pictogram 🖨️.

▪ Management functions

The management functions are accessible by pressing the button BP3. The taximeter goes back automatically to the "FREE" position after 10 seconds if no action has been done.

Management functions are, among others:

- display of programmed fares;
- display of checksums;
- display of totals (some of them can be deleted);
- display test and test of some additional devices connected to the taximeter;
- settings (e.g. standby mode, automatic / manual fare modification).

• Programming

Programming fares and defining the characteristics of the taximeter can be performed by the ATA's programming tool or by a pad fitted with the ATA's programming software.



ATA's programming tool



Programming Pad

Annex to OIML CERTIFICATE N° R 21/2007 – FR2 – 2017/01 - Revision 0

Error messages

SCREEN CODE	DESCRIPTION
[CODE_MESS_DEFAULT]	Fault message position
[CODE_MESS_DEF_CAI]	Anomaly of sensor signal: instant acceleration
[CODE_MESS_DEF_CAM]	Anomaly of sensor signal: mean acceleration
[CODE_MESS_DEF_CU]	Anomaly of sensor signal: sudden acceleration
[CODE_MESS_DEF_CP]	Anomaly of sensor signal: disturbance
[CODE_MESS_DEF_CT]	Anomaly of sensor signal: amplitude
[CODE_MESS_DEF_CIH]	Anomaly of sensor signal: high level impedance
[CODE_MESS_DEF_CIB]	Anomaly of sensor signal: low level impedance
[CODE_MESS_DEF_CIA]	Anomaly of sensor signal: stop impedance
[CODE_MESS_DEF_CS]	Anomaly of sensor signal: stability
[CODE_MESS_DEF_CL]	Anomaly of sensor signal: pulse width
[CODE_MESS_DEF_CR]	Anomaly of sensor signal: duty cycle
[CODE_NOTIF_PB_IMP]	Anomaly of printer: connection problem or missing paper
[CODE_MESS_DEF_LA]	Anomaly of removable roof light: missing roof light
[CODE_MESS_DEF_LE]	Anomaly of removable roof light: disconnected during a trip
[CODE_MESS_DEF_LU]	Anomaly of removable roof light: Unrecognized device
[CODE_NOTIF_PB_LUM]	Anomaly of roof light
[CODE_NOTIF_PB_PILE]	Anomaly of internal battery

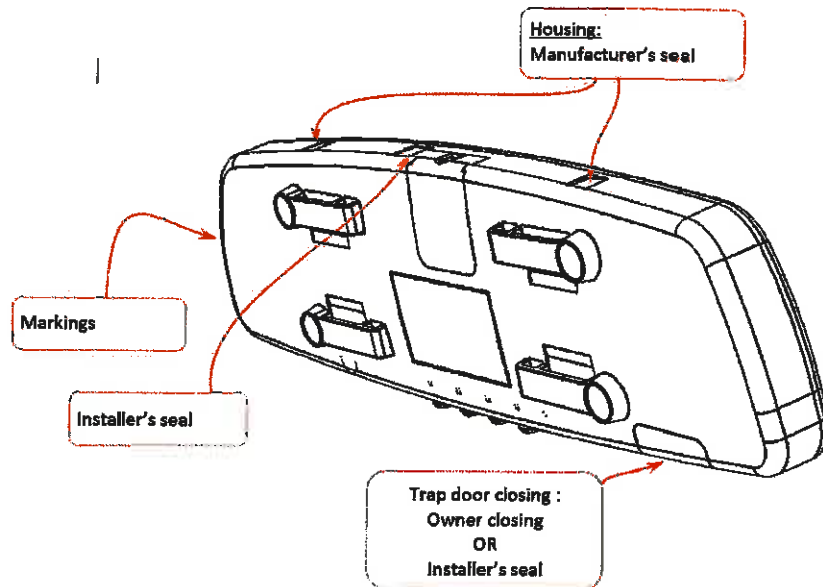
The above codes are soft command codes not shown on screen.

Software

- Software version of the taximeter: LC01-xxxx-xx.xx (where xx are non-legally relevant information)
- Checksum: 48213 (type CRC 16) ;
- Reference to the documentation submitted for type examination: « Notice descriptive »;
- Instructions of how to check the identification of software: The visualization of the legal parameters is identified by the words [CODE_MESS_CRC_BM] for the screen in the management functions menu.

All other values different than the one mentioned above must be considered as a broken seal.

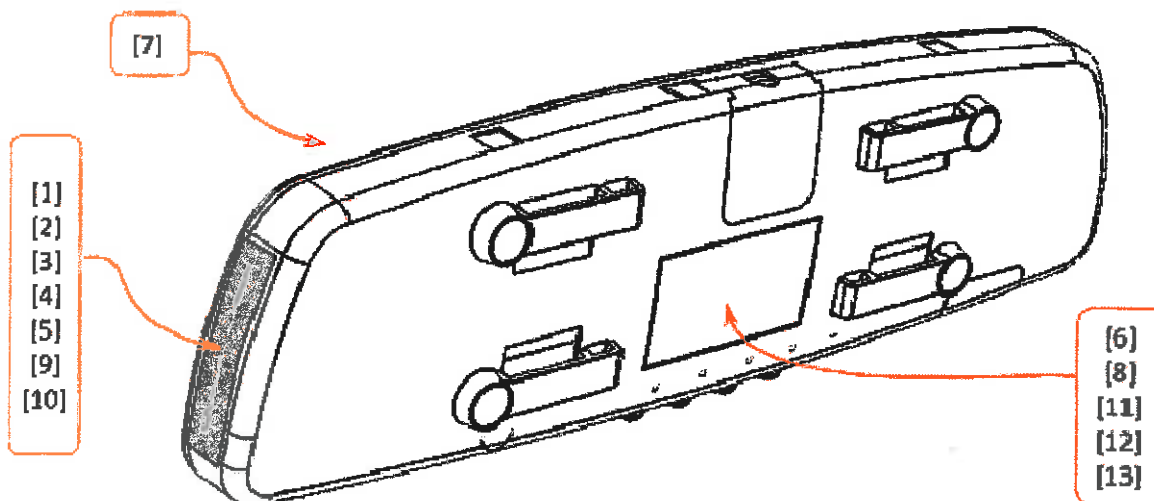
Securing and sealing



Marking and inscriptions

The following statutory inscriptions appear on the taximeter ATA Primus-RS-01:

- [1] name of the product,
- [2] serial number of the instrument,
- [3] EC design certificate number of the instrument,
- [4] metrological EC marking,
- [5] k constant range in impulsion by km;
- [6] input 12V 3A, T° [-25 °C; +70°C], Class M3, E3,
- [7] name of the manufacturer,
- [8] E13 10R – 04 xxxxx,
- [9] stickers for national regulation ,
- [10] year of manufacturing,
- [11] manufacturer postal address .



Annex to OIML CERTIFICATE N° R 21/2007 – FR2 – 2017/01 - Revision 0

Particular conditions of installation

The modalities of installation of the taximeter shall be done in accordance with the national regulations.

The compatible pulse generator can be:

- Resulting from the vehicle's original construction
- An ATA cardan sensor
- A vehicle digital signal converter module

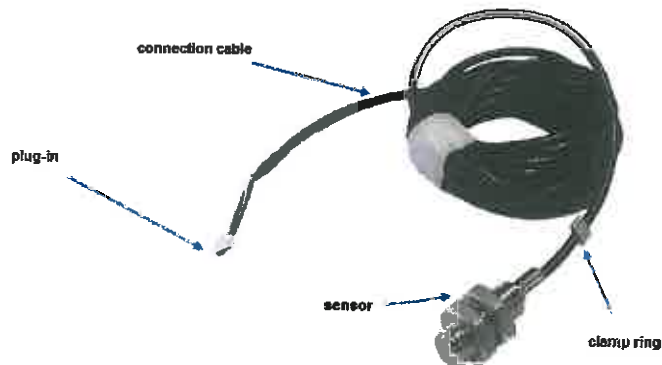
Only ATA's brand printers are compatible with the taximeter ATA Primus-RS-01.

Particular conditions of verification

Verification methods applicable to installed instruments depend on the applicable national regulations.

Appendix : conditions for the compatibility and securing between the taximeter and the ATA Cardan generator

• **Constitution**



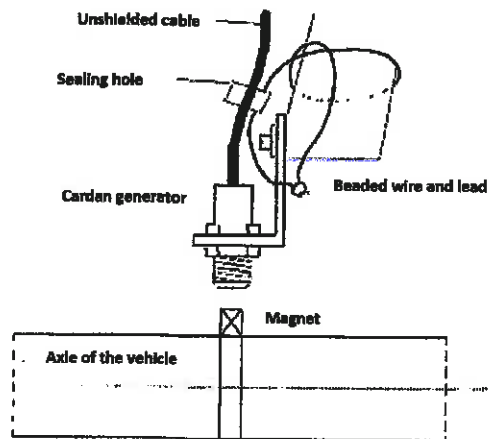
• **Functionality**

The principle of operation of the ATA Cardan generator is based on the use of a magneto resistive sensor which detects the passage of a magnet in close proximity. From this sensor, an unshielded cable transports the electrical signals to the taximeter.

• **Securing and sealing**

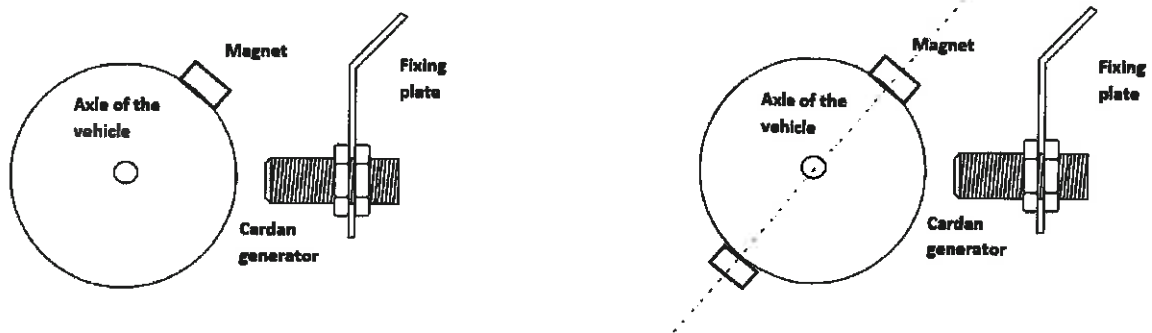
The cable of the ATA Cardan generator includes a plug-in which is connected to the taximeter directly or via the ATA Connection Box. In this case, a supplementary seal protects the connections.

A beaded wire sealed by a lead or plastic disc protects the installation of the ATA Cardan generator.



• **Particular conditions of installation**

The ATA Cardan generator can be installed with one or two magnets. The k factor minimal value for the taximeter is 500 pulses by km, it is required to use two magnets for vehicle with a wheel circumference exceeding 2 meters. If the generator is installed with two magnets, these ones must be arranged at diametrically opposed positions on the drive shaft or the cardan. A tolerance of magnet arrangement is allowed in order to facilitate the installation (25°).



The maximum distance between the magnets on the drive shaft and the sensor is 10 mm.